

© 2007 ENGINEERED PLASTICS
CONFIDENTIAL AND PROPRIETARY DOCUMENT
 ANY ONE OR MORE OF THE FOLLOWING
 PATENTS MAY APPLY
 U.S. PATENT NO. 5,303,669 5,775,835
 6,449,790 AND 6,895,622 B2
 C.D.N. PATENT NO. 2,032,532 2,070,984
 US PATENTS PENDING.
 © KENNETH E. SZEKELY

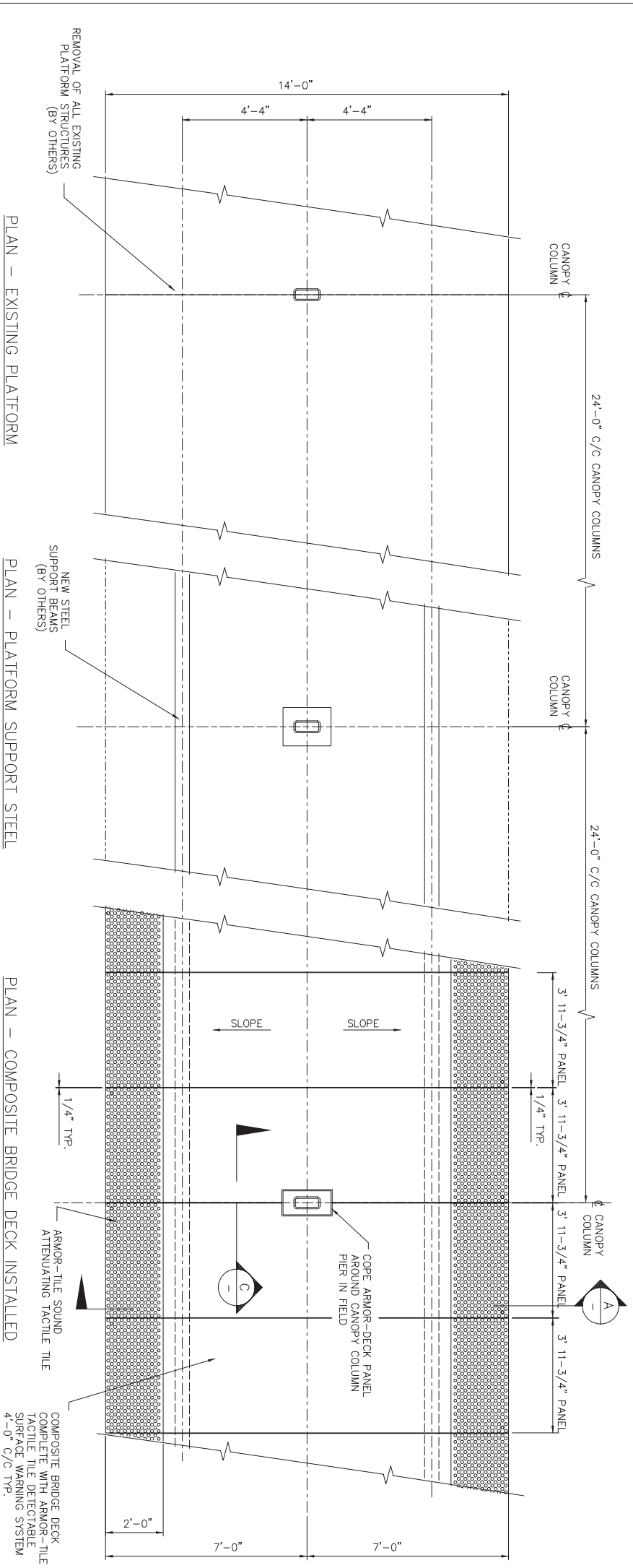
MATERIAL LIST

ITEM	DESCRIPTION	PART NO.	QTY
1	COMP. DECK (4'-0" x 14'-0")	AD-48168	96

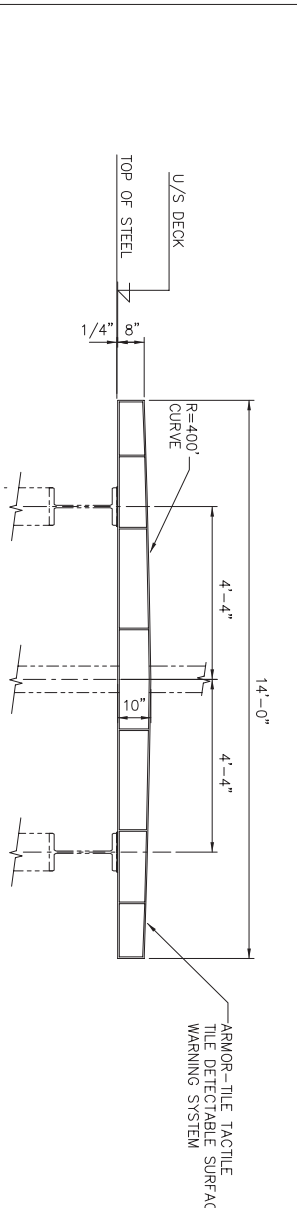
REFERENCE DRAWINGS

DWG. NO. DESCRIPTION

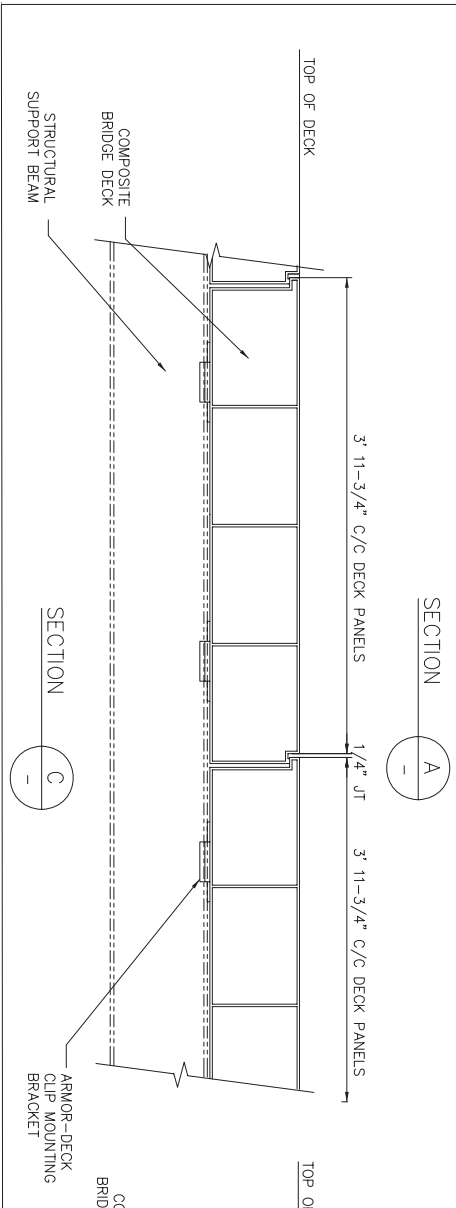
No.	DATE	REVISION	APPR.
1	04/18/07	PANEL DELETIONS	J.D.
0	12/29/06	FOR APPROVAL	K.S.



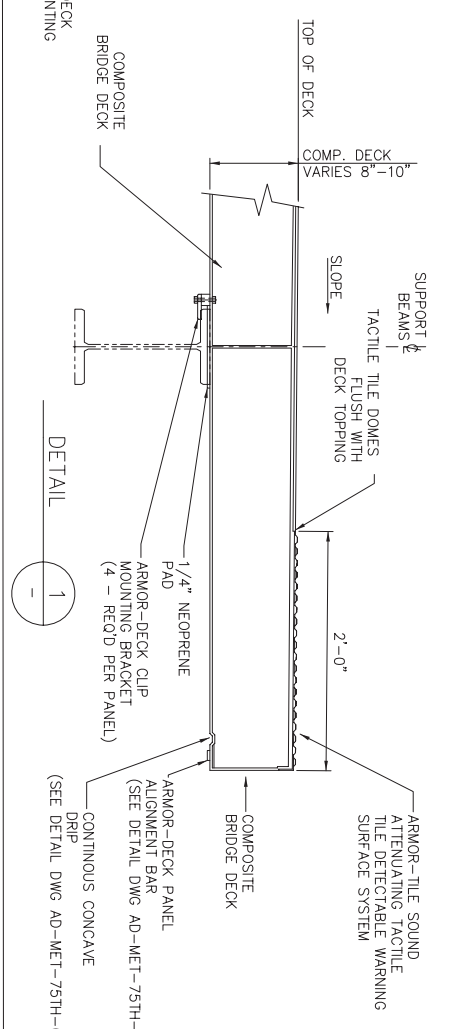
PLAN - COMPOSITE BRIDGE DECK INSTALLED



SECTION A-A



SECTION C-C



DETAIL 1

SCALE: N.T.S. 0 3 6 9 12 15

DESIGNED	BY	K.E.S.	DATE	92/11
DRAWN	BY	A.M.	DATE	12/29/06
CHECKED	BY	J.D.	DATE	12/29/06

PROJECT MANAGER

TRADE	PART NO.	SEE MATERIAL LIST
DETECTABLE WARNING SURFACE		
MATERIAL		VITRIFIED POLYMER COMPOSITE
SUBJECT		



STRUCTURAL REINFORCED POLYMER COMPOSITE ELEVATED TRANSIT BOARDING PLATFORM SYSTEM WITH ARMOR-TILE TACTILE DETECTABLE SURFACE WARNING SYSTEM

PROJECT

4'-0" x 14'-0" STRUCTURAL REINFORCED POLYMER COMPOSITE PLATFORM SYSTEM ELEVATION AND CROSS SECTION

DRAWING NO.	REV. NO.
AD-14489	1